



Pattern Collection: Children



Playtime Dress

Designed by Amy Gunderson

SIZES

3-6 mo (12-18 mo, 2 yr, 4 yr, 6 yr)
Shown in 3-6 mo size.

FINISHED MEASUREMENTS

Chest: 18 (19½, 21, 24, 27)''

Length: 13 (15¼, 16¾, 22¼, 23¾)''

MATERIALS

Universal Yarn Bamboo Pop Sock (55% bamboo, 37% cotton, 8% pbt; 100g/492 yds)

- 404 Wildflowers – 2 (2, 3, 3, 4) skeins

Needles: US Size 3 (3.25 mm) straight, 24'' & 16'' circular, and set of dpns or size needed to obtain gauge

Notions: Stitch marker, tapestry needle, stitch holder or waste yarn, 2 (2, 2, 3, 3) ½'' buttons

GAUGE

24 sts x 44 rnds/rows = 4'' in garter st

24 sts x 36 rows = 4'' in St st

28 sts x 34 rnds = 4'' in Feather and Fan patt

Save time, check your gauge.

Knit. Relax. Smile. Repeat!

2019 © Universal Yarn, Inc.

All rights reserved.

This pattern may not be reproduced for business, trade or sale.

PATTERN NOTES

The Playtime Dess is an adorable, vibrantly colored addition to the wardrobe of any little one in your life. Worked up in extremely elastic Bamboo Pop Sock, this is a garment that allows your little one to grow comfortably – meaning they can wear it longer. Allow the self-shading yarn to shine so you can simply focus on the stitchwork.

The skirt of this dress is worked in the round from the bottom up to the underarms. Then, the upper body is worked flat. A cute, buttoned tab on the shoulder ensures this piece is easy to put on. You may wish to place stitch markers between each repeat during the Skirt section to help you stay on track.

STITCH GUIDE

Feather and Fan

(multiple of 18 sts)

Rnds 1-2: Knit.

Rnd 3: * [K2tog] 3 times, [yo, k1] 6 times, [ssk] 3 times; rep from * to end.

Rnd 4: Purl.

Rep Rnds 1-4 for patt.

DRESS

Skirt

With longer circ ndl, cast on 216 (234, 252, 288, 324) sts. PM and join to work in the rnd, being careful not to twist. Purl 1 rnd.

Work Rnds 1-4 of Feather and Fan patt until piece meas 8 (9¼, 9¾, 14¼, 14¾)" from cast-on edge, ending with Rnd 4 of patt. Change to shorter circ ndl.

Waist

3-6 mo, 2 yr, 4 yr, 6 yr Sizes Only

Dec rnd: * K2tog; rep from * to end – 108 (-, 126, 144, 162) sts dec'd, 108 (-, 126, 144, 162) sts rem.

12-18 mo Size Only

Dec rnd: K3tog, * k2tog; rep from * to end – 118 sts dec'd, 116 sts rem.

All Sizes

Work in garter for 1½ (2, 2½, 3, 3½)" ending with a purl rnd.

Separate Front and Back

Row 1 (RS): K54 (58, 63, 72, 81) sts Front sts, turn placing rem 54 (58, 63, 72, 81) Back sts on holder or waste yarn.

Row 2 (WS): Knit.

Cont in garter st, knitting every row, until piece meas 2½ (3, 3½, 4, 4½)" from separation, ending with WS row.

Shape Left Front Neck

Dec row (RS): K16 (18, 19, 22, 24), ssk, k1, turn, leaving rem 35 (37, 41, 47, 54) sts unworked – 18 (20, 21, 24, 26) Left Front sts rem.

Next (WS): Knit.

Dec row (RS): Knit to last 3 sts, ssk, k1 – 1 st dec'd, 17 (19, 20, 23, 25) sts rem.

Next row (WS): Knit.

Rep last 2 rows, 2 more times – 15 (17, 18, 21, 23) sts rem. Work even as est'd until piece meas 3½ (4, 4½, 5, 5½)" from separation, ending with a WS row. Bind off all sts.

Shape Right Front Neck

Return 35 (37, 41, 47, 54) sts to ndl.

Dec row (RS): Bind off 16 (16, 19, 22, 27) Front Neck sts, k1, k2tog, knit to end – 1 st dec'd, 18 (20, 21, 24, 26) Right Front sts rem.

Next row (WS): Knit.

Rep last 2 rows, 3 more times – 15 (17, 18, 21, 23) sts rem. Work even as est'd until piece meas 3½ (4, 4½, 5, 5½)" from separation, ending with WS row. Place sts on holder or waste yarn.

Back

Return sts to ndl. Work even in as est'd until piece meas 3 (3½, 4, 4½, 5)" from separation, ending with WS row.

Shape Right Back Neck

Dec row (RS): K14 (16, 17, 20, 22), ssk, k1, turn, leaving rem 37 (39, 43, 49, 56) sts unworked – 16 (18, 19, 22, 24) Right Back sts rem.

Knit. Relax. Smile. Repeat!

2019 © Universal Yarn, Inc.

All rights reserved.

This pattern may not be reproduced for business, trade or sale.

Dec row (WS): K1, k2tog, knit to end – 15 (17, 18, 21, 23) sts rem.

Work even as est'd until piece meas 3½ (4, 4½, 5, 5½)" from separation, ending with WS row. Place Right Back sts RS tog with Right Front sts. Join using the 3-ndl bind-off.

Shape Left Back neck

Return 37 (39, 43, 49, 56) sts to ndl.

Dec row (RS): Bind off 20 (20, 23, 26, 31) Back Neck sts, k1, k2tog, knit to end – 16 (18, 19, 22, 24) sts sts rem.

Dec row (WS): Knit to last 3 sts, ssk, k1 – 15 (17, 18, 21, 23) Left Back sts rem.

Work even as est'd until piece meas 3 (3½, 4, 4½, 5)" from separation ending with WS row. Bind off all sts.

SLEEVES

Cuff

Cast on 30 (34, 38, 40, 42) sts. Do not join. Work in garter st for 1".

Main Sleeve

Row 1 (RS): Knit to end.

Row 2 (WS): Purl to end.

Inc row: K1, m1, knit to last st, m1, k1 – 2 sts inc'd, 32 (36, 40, 42, 44) sts.

Cont as est'd, repeating Inc row every 8 (8, 8, 6, 6) rows 2 (5, 6, 1, 2) more time(s), then rep Inc row every 10 (10, 10, 8, 8) rows 3 (1, 1, 8, 9) times– 42 (48, 54, 60, 66) sts. Work even until piece meas 8 (8½, 9½, 10½, 12½)" from cast-on edge, ending with WS row. Bind off all sts.

FINISHING

Weave in ends. Block pieces to finished measurements.

Neck Edging

Beg at Left Front Neck, pick up and knit 48 (48, 54, 60, 70) sts evenly along Neck edge. Work even in garter st for ½", ending with a WS row. Bind off all sts kwise.

Button Tab

Pick up and knit 3 sts along side of Neck Edging and 15 (17, 18, 21, 23) sts along Left Back Shoulder – 18 (20, 21, 24, 26) sts.

Buttonhole Row (RS): K4, k2tog, yo, * k5 (7, 8, 5, 6), k2tog, yo * 0 (0, 0, 1, 1) more time(s), knit to end – 2 (2, 2, 3, 3) buttonholes.

Work even in garter st until Tab meas 1", ending with WS row. Bind off all sts.

Sew bind-off edge of Right Sleeve to body. Sew Sleeve seam. Sew bind-off edge of Left Sleeve to body, leaving Button Tab free. Sew buttons to Left Front shoulder beneath Button Tab.

Abbreviations

beg	begin(ning)
circ	circular
cont	continue
dec('d)	decrease(d)
dpn(s)	double pointed needle(s)
est'd	established
garter st	knit every row
inc('d)	increase(d)
k	knit
k2tog	knit 2 stitches together (1 st
dec'd)	
k3tog	knit 3 stitches together (2 sts
dec'd)	
kwise	knitwise
m1	insert left needle from front to back under horizontal strand of yarn lying between st just worked and next st, knit or purl this st through the back loop (1 st inc'd)
meas	measures
ndl	needle
p	purl
patt	pattern
pm	place marker
rem	remain(ing)
rep	repeat
rnd	round
RS	right side
ssk	slip next 2 sts individually knitwise, slip them back to left needle in this position, knit them together through the back loops (1 st dec'd)
St st	Stockinette stitch (knit on RS rows, purl on WS rows; in the rnd, knit every rnd)

Knit. Relax. Smile. Repeat!

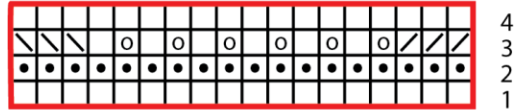
2019 © Universal Yarn, Inc.

All rights reserved.

This pattern may not be reproduced for business, trade or sale.

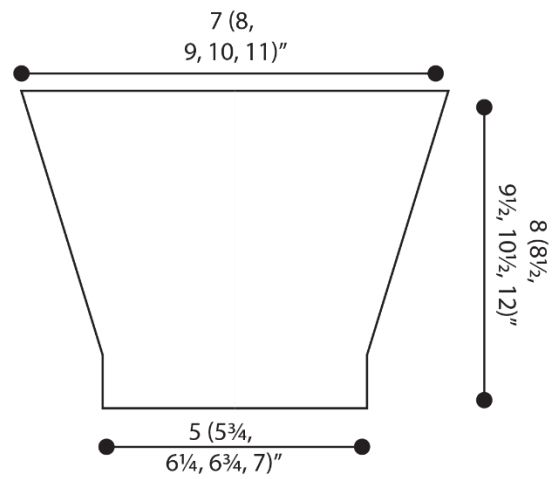
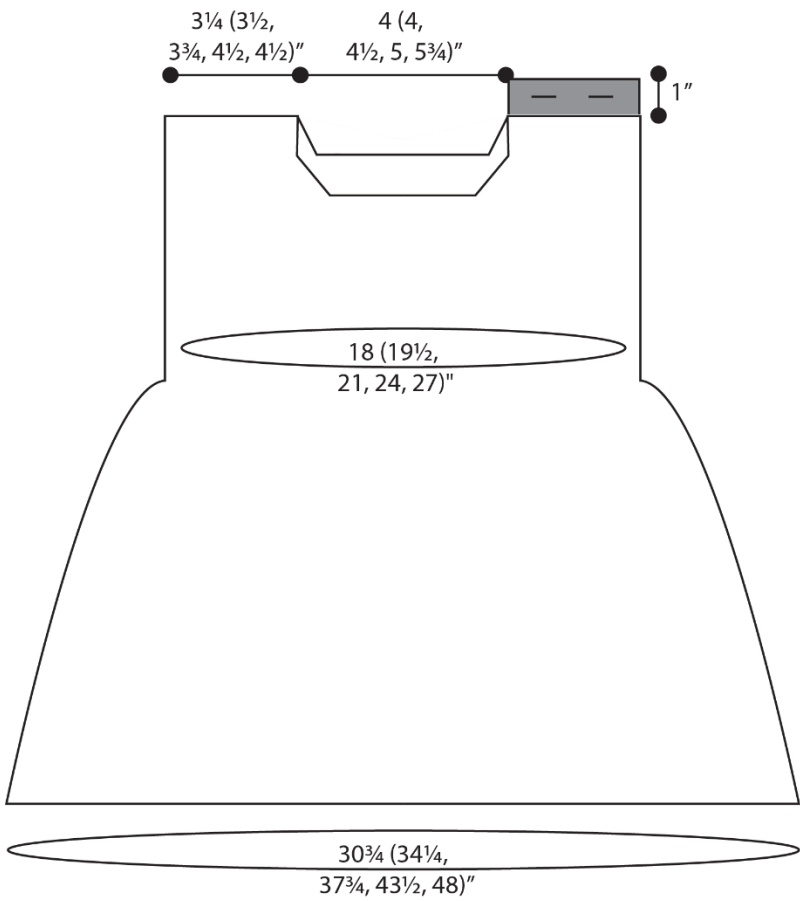
st(s) stitch(es)
tog together
WS wrong side
yo yarn over

Feather & Fan



Key

- knit on RS, purl on WS
- purl on RS, knit on WS
- ssk
- k2tog
- yo
- pattern repeat



Knit. Relax. Smile. Repeat!

2019 © Universal Yarn, Inc.

All rights reserved.

This pattern may not be reproduced for business, trade or sale.